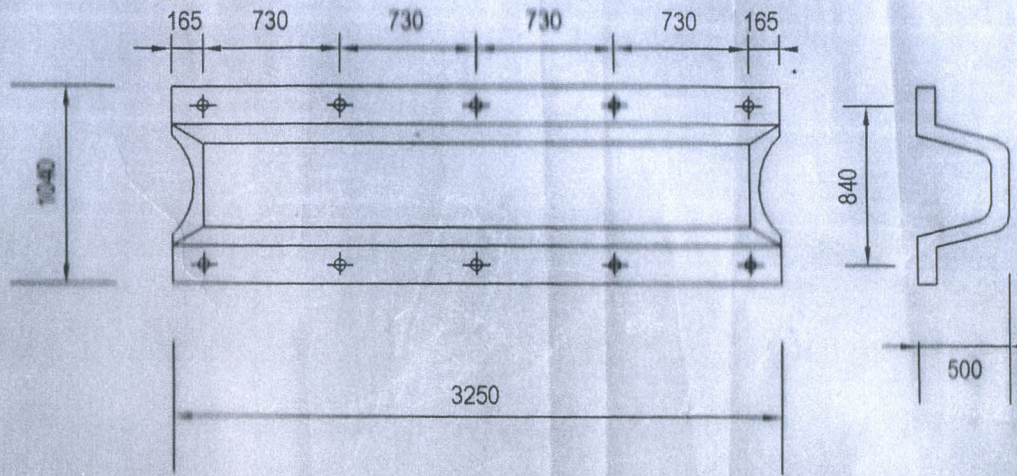
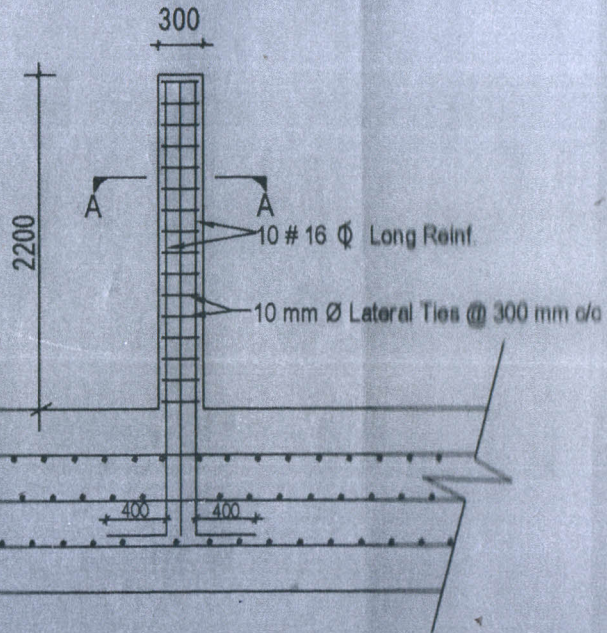


SECTION A-A



RUBBER FENDER DETAILS (SA - 500 H)

Scale : 1:40

AT G-2 mts → 35 Lxf

STAL FOR LIGHTING ARRANGEMENTS

Scale : 1:50

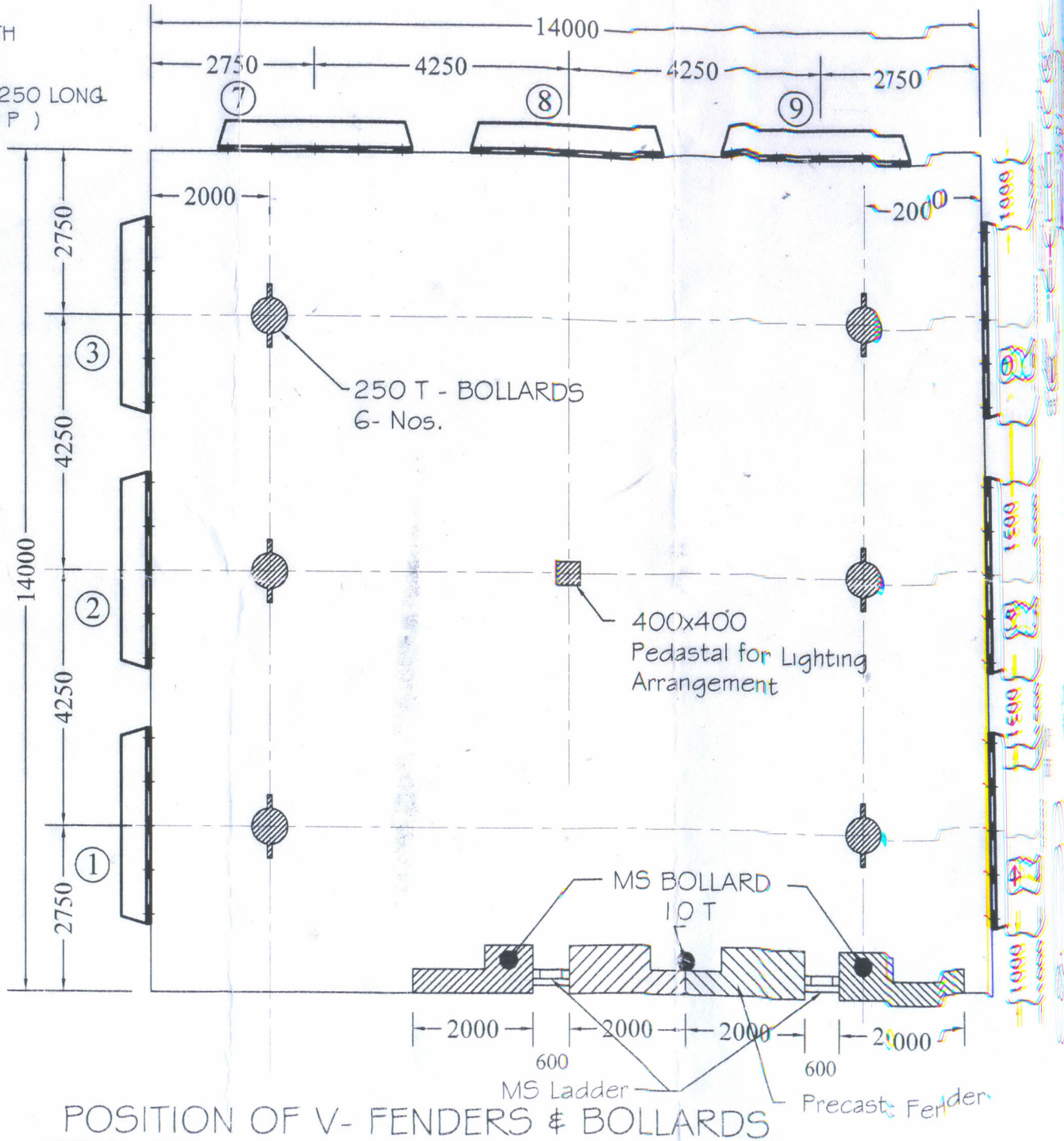
50x10 THK. PL WITH
27 Ø HOLES

25 Ø BOLT 250 LONG
(WELDED TO P)

WALL
10x115x16

MS FLAT
1000x300 @ 300 dc

Dwg.



SCALE 1:100

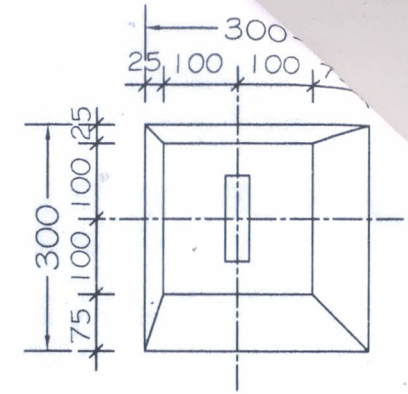
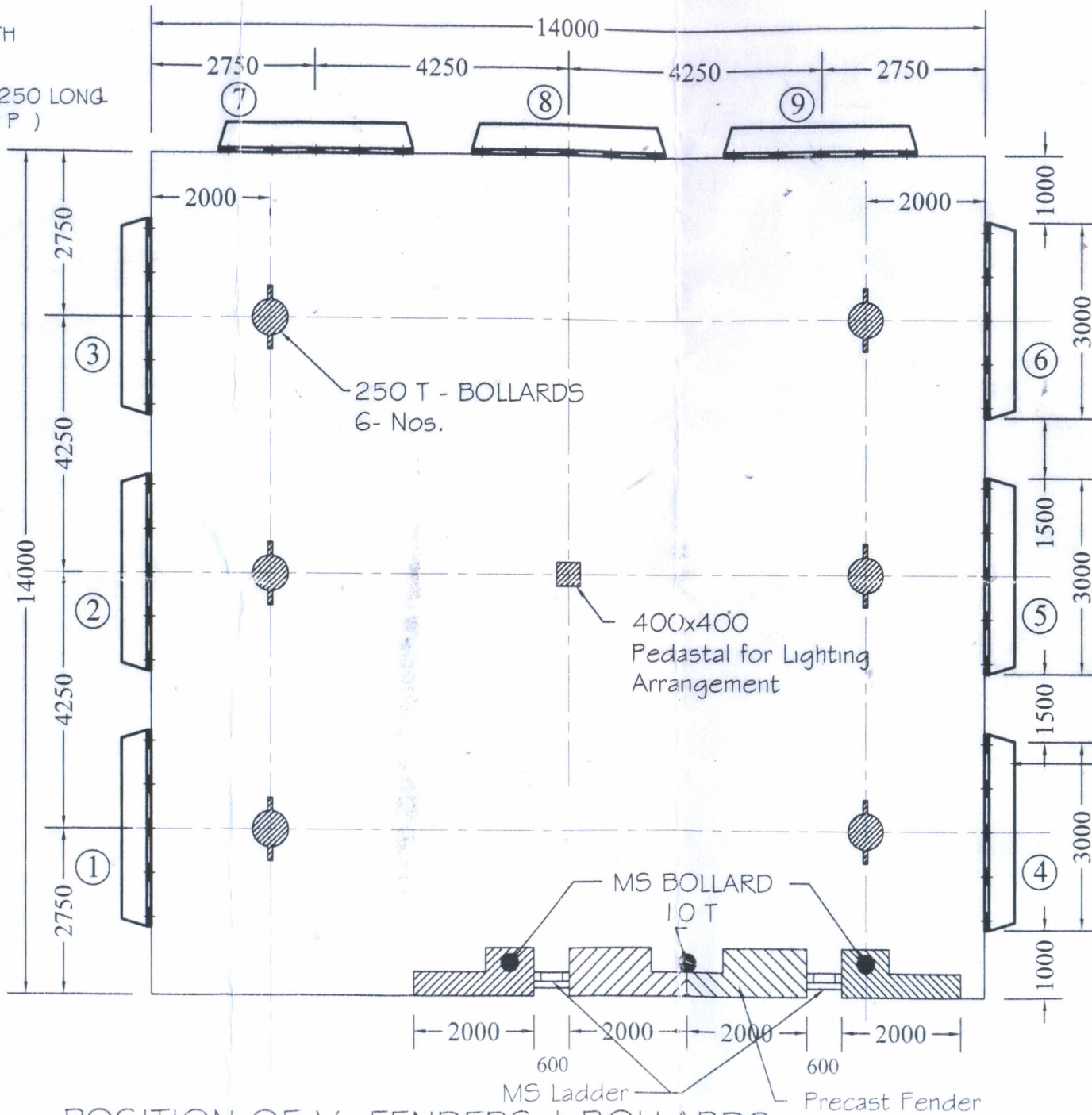
50x10 THK. PL WITH
27 Ø HOLES

25 Ø BOLT 250 LONG
(WELDED TO P)

WALL
10x15x16

MS FLAT
LUNG @ 300 dc

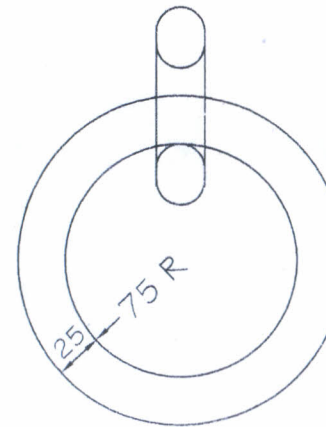
1 Dwg.



DETAIL @ B

SCALE 1:10

SA - 500 H
V-FENDER



POSITION OF V-FENDERS & BOLLARDS

SCALE 1:100